

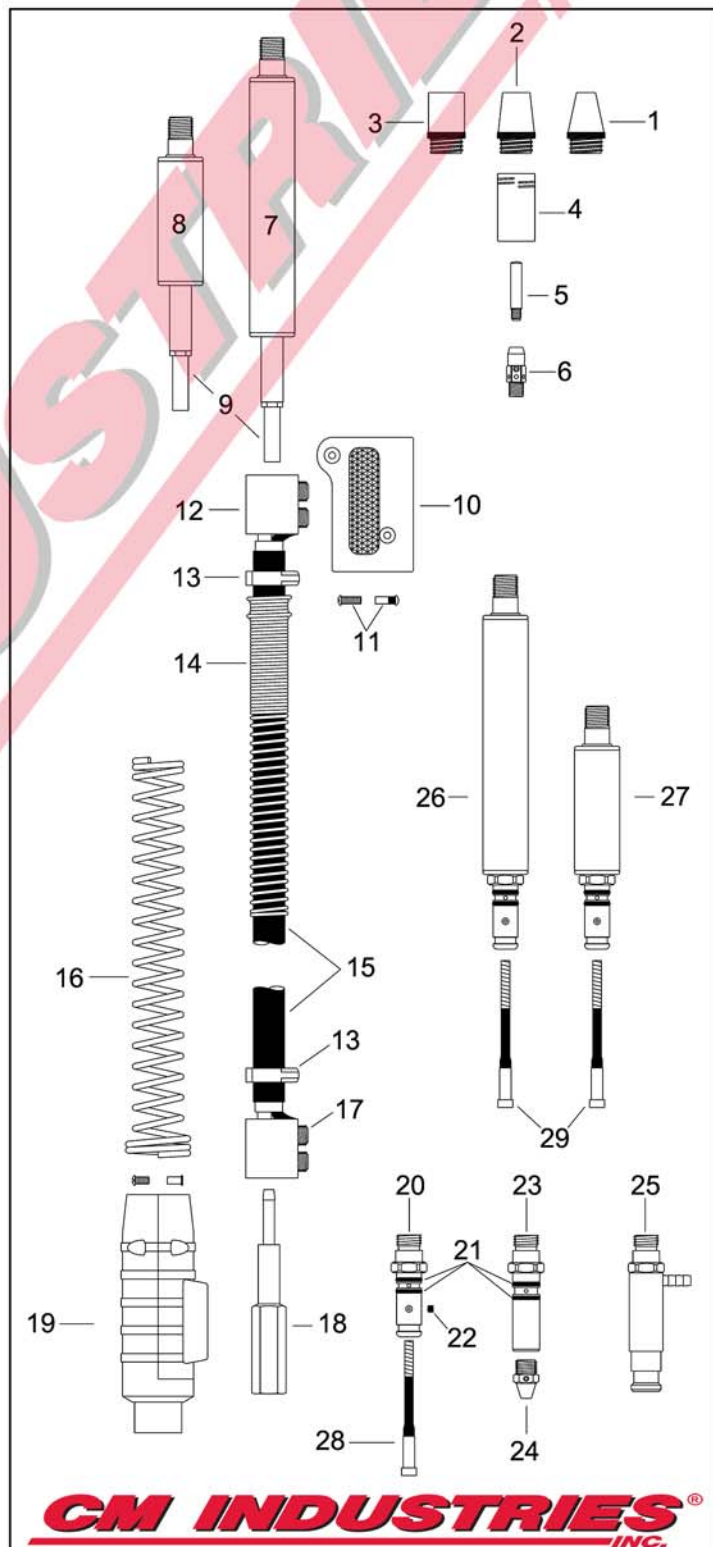
TWC 400AUTO

AIR-COOLED MIG GUN

Replacement Suitable for Tweco®

RATING	GUN ORDERING PART NUMBER	GUN PLUG Direct Connect
400 Amp CO2 @ 80% Duty Cycle 300 Amp Mixed Gas @ 80% Duty Cycle Wire Capacity: 0.030" (0.8mm) - 5/64" (2.0mm)	CTAM4xx-3545	Tweco® #4 Miller® Lincoln® "LN" Euro
	CMTAM4xx-3545	
	CLTAM4xx-3545	
	CETAM4xx-3545	
xx = Standard lengths of 4, 6, 8, and 10 ft. Custom lengths also available.		

#	Part Number	Description
1.	C24CT-50-S	Nozzle, Coarse Thread, 1/2" I.D.
2.	C24CT-62-S	Nozzle, Coarse Thread, 5/8" I.D.
3.	C24CT-75-S	Nozzle, Coarse Thread, 3/4" I.D.
4.	C34CT	Nozzle Insulator, Std.
5.	C14H-35	Contact Tip, H.D., .035" 0.9mm
	C14H-40	Contact Tip, H.D., .040" 1.0mm
	C14H-45	Contact Tip, H.D., .045" 1.2mm
	C14H-52	Contact Tip, H.D., .052" 1.4mm
	C14H-116	Contact Tip, H.D., 1/16" 1.6mm
	C14H-564	Contact Tip, H.D., 5/64" 2.0mm
	C14AH-364	Contact Tip, H.D., Aluminum, 3/64"
	C14AH-116	Contact Tip, H.D., Aluminum, 1/16"
6.	C54A	Gas Diffuser, Std.
7.	C64TAM-N	TWC400 AUTO Body w/ Nipple, Std.
8.	C64STAM-N	TWC400 AUTO Body w/ Nipple, Short
9.	C64N	Gas Hose Nipple
10.	C185	Connector Case w/ Screws
11.	C125FM	Binder Post & Screw
12.	C104	Cable Connector Block Assembly
13.	C134-14	Power Cable Clamp
14.	C234-12S	Cable Support, Spring 12"
	C234-12	Cable Support, Rubber 12"
15.	C400-04	Power Cable, 4'
	C400-06	Power Cable, 6'
	C400-08	Power Cable, 8'
	C400-10	Power Cable, 10'
	C400-12	Power Cable, 12'
	C400-15	Power Cable, 15'
16.	C350R-230-10S	Cable Support Spring
17.	C104	Cable Connector Block Assembly
18.	CM170-4H	Connector Plug Adaptor
19.	CR6RC	Round Connector Case
20.	C350-174H	Gun Plug, Tweco #4
21.	C224	O-Ring
22.	C44C	Set Screw
23.	C350-174MH	Gun Plug, Miller
24.	C174M-N	Conduit Nut, Miller
25.	C350-174LH	Gun Plug, Lincoln
26.	C64TAM-174	TWC400 AUTO Body, Direct Mount
27.	C64STAM-174	TWC400 AUTO Short Body, Direct Mount
28.	C44-3545-15	Liner Assembly, 15', .035"-.045", Std.
	C44-116-15	Liner Assembly, 15', 1/16"
	C44-564-15	Liner Assembly, 15', 5/64"
29.	C44-3545-1	Liner Assembly, 1', .035"-.045", Std.
	C44-116-1	Liner Assembly, 1', 1/16"
	C44-564-1	Liner Assembly, 1', 5/64"



CM INDUSTRIES
INC.