

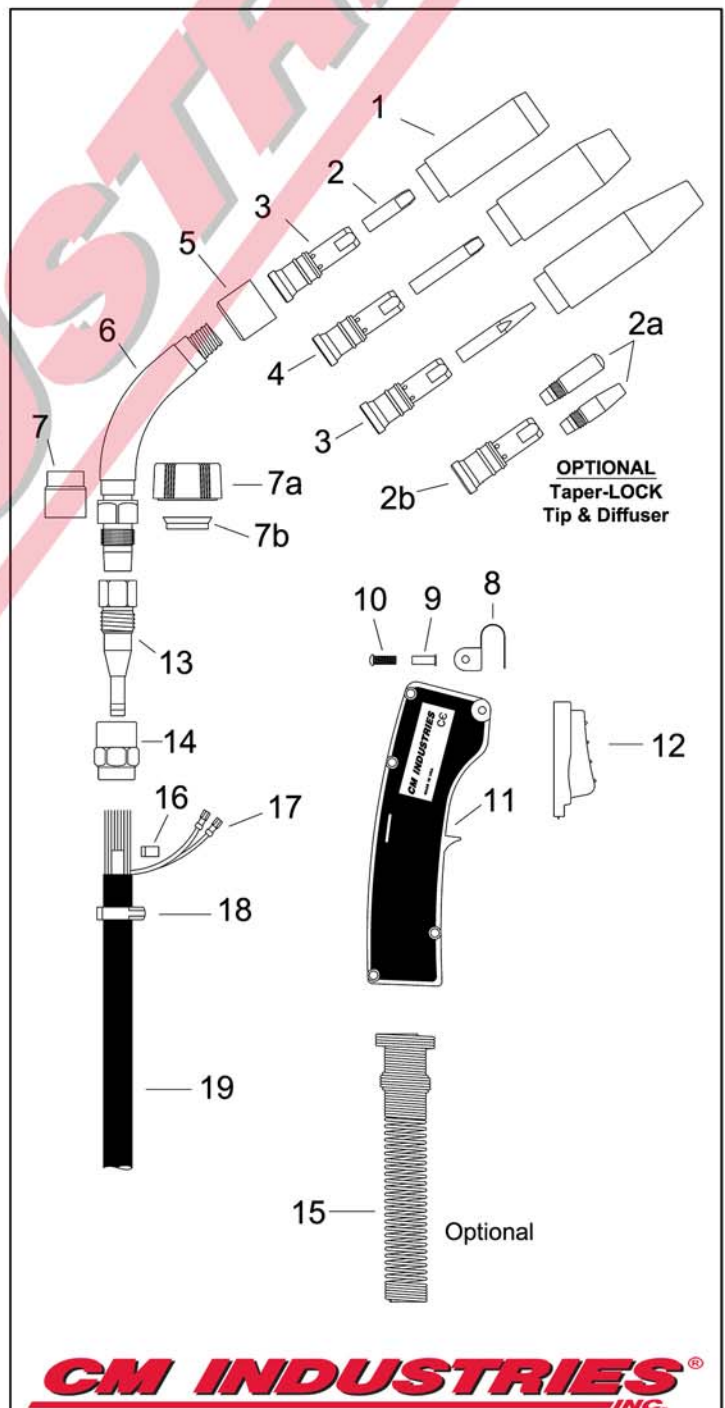
BND 200

AIR-COOLED MIG GUN

Replacement Suitable for Bernard®

RATING	GUN ORDERING PART NUMBER		GUN PLUG Direct Connect	
	PREVIOUS	CURRENT		
200 Amp CO2 @ 100% Duty Cycle 150 Amp Mixed Gas @ 100% Duty Cycle Wire Capacity: 0.023" (0.6mm) - 0.045" (1.2mm)	B2-42xxA	BQ20xxAB7CB	Bernard® Euro Hobart® Lincoln® "LN" Lincoln® "LF" Lincoln® W.M./Power MIG® Miller® Tweco® #4	
	B2-42xxAE	BQ20xxAB7CE		
	B2-42xxAH	BQ20xxAB7CH		
	B2-42xxAL	BQ20xxAB7CL		
	B2-42xxALF	BQ20xxAB7CS		
	B2-42xxAWM	BQ20xxAB7CU		
	B2-42xxAM	BQ20xxAB7CM		
	B2-42xxAT	BQ20xxAB7CT		
	xx = Standard lengths of 10, 12, 15, 20 and 25 ft. Custom lengths also available.			

#	Part Number	Description
1.	B4391	Nozzle - Brass 5/8" I.D.
	B4393	Nozzle - Copper 5/8" I.D.
	B4392	Nozzle - Brass 1/2" I.D.
	B4394	Nozzle - Copper 1/2" I.D.
	B4295	Nozzle - Brass Tapered, Long - 11/32" I.D.
2.	B7497	Contact Tip, .023" (0.6mm)
	B7488	Contact Tip, .030" (0.8mm)
	B7489	Contact Tip, .035" (0.9mm)
	B7496	Contact Tip, .040" (1.0mm)
	B7490	Contact Tip, .045" (1.2mm)
	B1597	Contact Tip, Long, .023" (0.6mm)
	B1588	Contact Tip, Long, .030" (0.8mm)
	B1589	Contact Tip, Long, .035" (0.9mm)
	B1596	Contact Tip, Long, .040" (1.0mm)
	B1590	Contact Tip, Long, .045" (1.2mm)
B4285	B4285	Contact Tip, Tapered, .030" (0.8mm)
	B4281	Contact Tip, Tapered, .035" (0.9mm)
	B4299	Contact Tip, Tapered, .040" (1.0mm)
	B4282	Contact Tip, Tapered, .045" (1.2mm)
	2a.	CMI "Taper-LOCK" Contact Tips
155-1-030		H.D. Contact Tip, .030" (0.8mm)
155-1-035		H.D. Contact Tip, .035" (0.9mm)
155-1-040		H.D. Contact Tip, .040" (1.0mm)
155-1-045		H.D. Contact Tip, .045" (1.2mm)
155-1-364		H.D. Contact Tip, 3/64" (1.2mm)
155-2-030	155-2-030	H.D. Tapered Contact Tip, .030" (0.8mm)
	155-2-035	H.D. Tapered Contact Tip, .035" (0.9mm)
	155-2-040	H.D. Tapered Contact Tip, .040" (1.0mm)
	155-2-045	H.D. Tapered Contact Tip, .045" (1.2mm)
	155-2-364	H.D. Tapered Contact Tip, 3/64" (1.2mm)
2b.	B4335-TL18	Head Assembly, for Taper-LOCK™ Tip
3.	B4335	Head Assembly
	B4335-116	Head Assembly w/ Tube
4.	B4235	Head Assembly, for Long Contact Tip
	B4235-116	Head Assembly w/ Tube
5.	B4323R	Silicone Cap
6.	BQT2-30	Body Tube, Short 30°
	BQT2-45	Body Tube, Short 45°
	BQT2-60	Body Tube, Short 60°
	BQT2-80	Body Tube, Short 80°
	BQT3-30	Body Tube, Medium 30°
	BQT3-45	Body Tube, Medium 45°
	BQT3-60	Body Tube, Medium 60°
	BQT3-80	Body Tube, Medium 80°



#	Part Number	Description
7.	B4780	Insulator Hex Nut
7a.	B1840057	Plastic Lock Nut
7b.	B1840031	Silicone Rubber Seal
8.	B4238	Hang Up Hook
9.	B4207	Post Fastener
10.	B4209	Handle Screw
	B1880004	Screw/Post Kit
11.	B1880155	Handle Kit w/ Screws
12.	B5662	Trigger Assembly
13.	B4213B	End Fitting
14.	B4305	Cone Nut
15.	B2520074	Handle Spring - Optional
16.	B4991	Clamp, Conduit
17.	B2660001	Trigger Terminal
18.	B7669	Clamp, Jacket
19.	B1060121	200A Cable Assembly, 10'
	B1060122	200A Cable Assembly, 12'
	B1060123	200A Cable Assembly, 15'
	B1060124	200A Cable Assembly, 20'
	B1060125	200A Cable Assembly, 25'
20.	B2520041-S	Strain Relief Spring
21.	B2520066	Strain Relief Kit
22.	B2280056	Screw
23.	BGN2021	Electrical Plug, Miller
24.	B4719	Electrical Plug, Lincoln
25.	B1010027	Adaptor Block
26.	B2200101	Power Pin, Miller
27.	B4477	Power Pin Tip, Miller .023" - .045"
28.	B4478	O-Ring, Miller
29.	B2200118	Power Pin, Tweco 4
30.	B4713	O-Ring, Tweco 4
31.	B2200099	Power Pin, Lincoln "LN"
32.	B4816	Euro Connector Nut
33.	B5060	Euro Connector Plug
34.	B4421	O-Ring, Euro
35.	B2520041-S	Strain Relief Spring
36.	B1880074	Rigid Strain Relief Kit
37.	B4925	Locking Sleeve
38.	B4901	Quick Connect Body
39.	B4924	Lead Wire
40.	B4919	Gas Pin Assembly
41.	B4916	Wave Spring
42.	B4912	Snap Ring, Small
43.	B4911	Snap Ring, Large
44.	B2200008	Power Pin, Bernard EZ
	B1199	Bernard Quick Disconnect Kit (37-44)
45.	B1982Q	200A Rear Cone Nut Repair Kit
46.	B43015	Liner Assembly, 15', .023"-.030"
	B43115	Liner Assembly, 15', .035"-.045"
	B43125	Liner Assembly, 25', .035"-.045"
	B43215	Liner Assembly, 15', .045"-.062"
	B43225	Liner Assembly, 25', .045"-.062"
	B43115X	Teflon Liner Assembly, 15', .035"- 3/64"

