

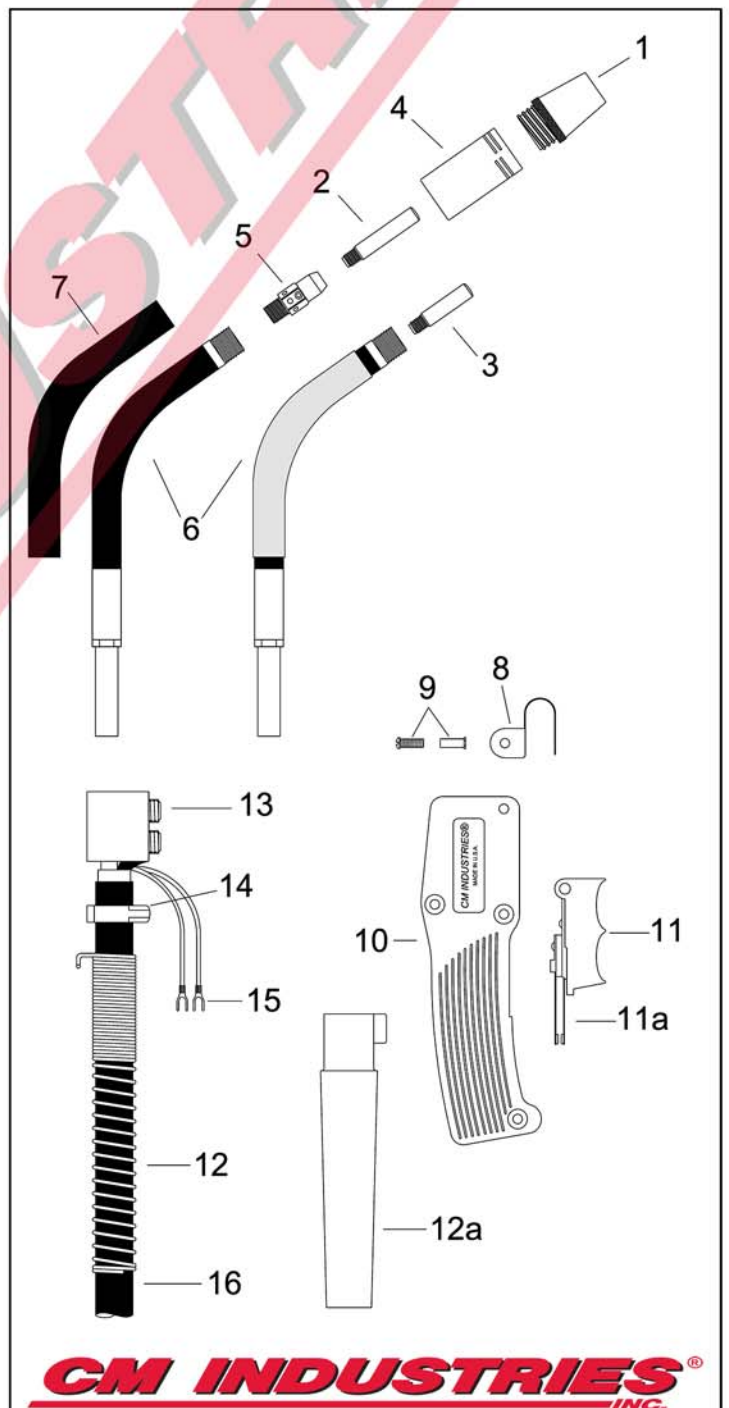
# TWC 500

# AIR-COOLED MIG GUN

Replacement Suitable for Tweco®

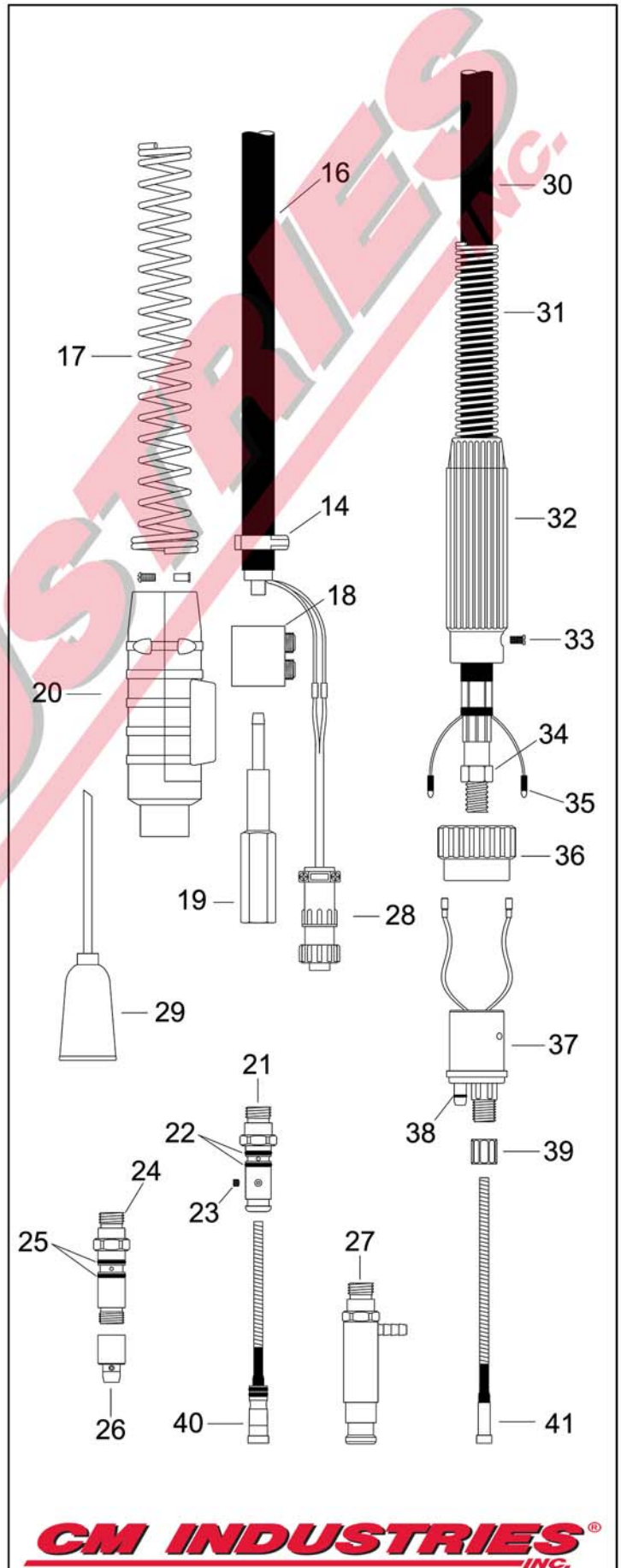
RATING	GUN ORDERING PART NUMBER	GUN PLUG Direct Connect
<b>500 Amp CO2 @ 80% Duty Cycle</b>  <b>375 Amp Mixed Gas @ 80% Duty Cycle</b>  <b>Wire Capacity: 0.035" (0.9mm) - 7/64" (2.8mm)</b>	C5xx-116	Tweco® #5
	CX5xx-116	Euro
	CL5xx-116	Lincoln® "LN"
	CLF5xx-116	Linc.® LF/DH10/PowerFeed
	CM5xx-116	Miller®
xx = Standard lengths of 10, 12, 15, 20 and 25 ft. Custom lengths also available.		

#	Part Number	Description
1.	C25CT-50	Nozzle, 1/2" I.D.
	C25CT-62	Nozzle, 5/8" I.D., Std.
	C25CT-75	Nozzle, 3/4" I.D.
2.	C15H-35	Contact Tip, H.D., .035" 0.9mm
	C15H-40	Contact Tip, H.D., .040" 1.0mm
	C15H-45	Contact Tip, H.D., .045" 1.2mm
	C15H-52	Contact Tip, H.D., .052" 1.4mm
	C15H-116	Contact Tip, H.D., 1/16" 1.6mm, Std.
	C15H-564	Contact Tip, H.D., 5/64" 2.0mm
	C15H-332	Contact Tip, H.D., 3/32" 2.4mm
	C15H-764	Contact Tip, H.D., 7/64" 2.8mm
	C15AH-364	Contact Tip, H.D., Aluminum, 3/64"
	C15AH-116	Contact Tip, H.D., Aluminum, 1/16"
3.	C15HFC-35	Contact Tip, H.D., .035" 0.9mm
	C15HFC-40	Contact Tip, H.D., .040" 1.0mm
	C15HFC-45	Contact Tip, H.D., .045" 1.2mm
	C15HFC-52	Contact Tip, H.D., .052" 1.4mm
	C15HFC-116	Contact Tip, H.D., 1/16" 1.6mm
	C15HFC-564	Contact Tip, H.D., 5/64" 2.0mm
	C15HFC-332	Contact Tip, H.D., 3/32" 2.4mm
	C15HFC-764	Contact Tip, H.D., 7/64" 2.8mm
4.	C35CT	Nozzle Insulator
	C55SW	Gas Diffuser, Use w/ .035"-1/16", Std.
5.	C55	Gas Diffuser, Use w/ 5/64"
	C55H	Gas Diffuser, Use w/ 3/32"-7/64"
6.	C65J-45	Conductor Tube, Jacketed, 45°
	C65J-60	Conductor Tube, Jacketed, 60°, Std.
	C65J-80	Conductor Tube, Jacketed, 80°
	C65J-180	Conductor Tube, Jacketed, 180°
	C65-45	Conductor Tube, 45°
	C65-60	Conductor Tube, 60°
	C65-80	Conductor Tube, 80°
	C65-180	Conductor Tube, 180°
7.	C75	Neoprene Insulation
8.	C154	Gun Hanger
9.	C124FM	Binder Screw & Post
10.	C85	Handle
11.	C94R	Trigger Switch Assembly
11a.	C94C	Replacement Trigger Blades
12.	C145-6S	Cable Support Spring
12a.	C145-6	Cable Support Rubber - Optional
13.	C104	Cable Connector Block Assembly
14.	C134-16	Power Cable Clamp
15.	C244	Control Wire Terminal
16.	C500-10	Power Cable, 10'
	C500-12	Power Cable, 12'
	C500-15	Power Cable, 15'
	C500-20	Power Cable, 20'
	C500-25	Power Cable, 25'



**CM INDUSTRIES**  
INC.

#	Part Number	Description
17.	C350R-230-10	Cable Support Spring
18.	C104	Cable Connector Block Assembly
19.	CM170-5H	Connector Plug Adaptor
20.	CR6RC	Round Connector Case
21.	C176S-H	Gun Plug, Tweco #5
22.	C225	O-Ring For #5
23.	C44C	Set Screw
24.	CEL176-MH	Gun Plug, Miller
25.	C224	O-Ring
26.	C175M-N	Conduit Nut, Miller
27.	CEL176-LH	Gun Plug, Lincoln
28.	300-05-001	Electrical Plug, Miller
29.	300-05-002	Electrical Plug, Lincoln LN
30.	C500-10E	Euro Power Cable, 10'
	C500-12E	Euro Power Cable, 12'
	C500-15E	Euro Power Cable, 15'
	C500-20E	Euro Power Cable, 20'
	C500-25E	Euro Power Cable, 25'
31.	185-40-001	Cable Support Spring
32.	260-52-003	Adaptor Support, Euro
33.	285-01-001	Adaptor Support Screw
34.	290-01-012	Hex Nut, M12
35.	300-05-010	Male Terminal
36.	C174X-2	Adaptor Nut
37.	C174EX-1	Euro-Kwik Adaptor Assembly
38.	C174EX-1G	O-Ring, Euro
39.	C174EX-1C	Conduit Nut, Euro-Kwik
40.	C45-3545-15	Liner Assembly, 15' .035"-.045"
	C45-3545-25	Liner Assembly, 25' .035"-.045"
	C45-116-15	Liner Assembly, 15' .062", Std.
	C45-116-25	Liner Assembly, 25' .062", Std.
	C45-564-15	Liner Assembly, 15' 5/64"
	C45-564-25	Liner Assembly, 25' 5/64"
	C45H-332-15	Liner Assembly, 15' 3/32"
	C45H-332-25	Liner Assembly, 25' 3/32"
	C45H-764-15	Liner Assembly, 15' 7/64"
	C45H-764-25	Liner Assembly, 25' 7/64"
	C45N-3545-15	Nylon Liner Assembly, 15' .035"-.045"
	C45N-116-15	Nylon Liner Assembly, 15' 3/64"-.062"
	C45SN-116-15	Steel/Nylon Liner Assy., 15' .062"
	C45TF-116-15	Teflon Liner Assembly, 15' 3/64"-.062"
41.	<b>Euro Direct Only</b>	
	C44-3545-15	Liner Assembly, 15' .035"-.045", Std.
	C44-3545-25	Liner Assembly, 25' .035"-.045"
	C44-116-15	Liner Assembly, 15' .062"
	C44-116-25	Liner Assembly, 25' .062"
	C44-564-15	Liner Assembly, 15' 5/64"
	C44-564-25	Liner Assembly, 25' 5/64"
	C44N-3545-15	Nylon Liner Assembly, 15' .035"-.045"
	C44N-116-15	Nylon Liner Assembly, 15' .062"



# WARNING!

## Please read all Safety Instructions



# WARNING

- Read and follow the manufacturer's instructions, employer's safety practices, and Material Safety Data Sheets (MSDSs).
- Only qualified personnel should install, use, or service this material and/or equipment.



### **ELECTRIC SHOCK can kill.**

- Always wear dry insulating gloves.
- Do not touch live electrical parts.
- Always disconnect power source before hooking up or changing electrodes, nozzles and other parts.



### **WELDING SPARKS can cause fire or explosion**

- Do not weld near flammable material.
- Do not weld on closed containers.
- Remove combustibles from the work area and/or provide a fire watch.
- Avoid oily or greasy clothing as a spark may ignite them.



### **LOUD NOISE can damage hearing.**

- Always wear protective hearing devices to ensure protection when noise levels exceed OSHA standards.



### **ARC RAYS can injure eyes and burn skin.**

- Always wear correct eye, ear, and body protection.
- Always wear a welding helmet with the proper grade filter lens. Protect yourself and others from spatter arc rays by using protective screens, barriers and welding curtains.
- Always wear protective gloves and clothing to cover exposed skin. This will aid in the prevention of arc and spatter burns.



### **FUMES AND GASES can be hazardous to your health.**

- Keep your head out of the fumes.
- Use enough ventilation or exhaust at the arc to keep fumes and gases from your breathing zone, and general area.
- Fumes from cutting and welding can deplete air quality, causing injury or death. Always wear an air supplied respirator in confined areas, or if breathing air is not safe.

Read American National Standard Z49.1, "Safety in Welding, Cutting, and Allied Processes," available from American Welding Society, 550 N.W. LeJeune Rd., Miami, FL 33126;

OSHA Safety and health standards, available from U.S. Government Printing Office, Washington DC 20402

## **CM INDUSTRIES<sup>®</sup>**

**INC.**

505 OAKWOOD RD. LAKE ZURICH, IL 60047 USA

PHONE: 847-550-0033 FAX: 847-550-0444

[www.cmindustries.com](http://www.cmindustries.com)