

MIGZONE ENDURANCE SERIES

# MZ-E 240W

**MIGZONE®**  
TORCHES**100**  
%ED0,8  
-  
1,2  
mm**325**  
A<sub>CO2</sub>**300**  
A<sub>MIX</sub>**i Neck Variations**

You can get our whole MZ-E series  
MIG Torches with rotating necks.

**Complete Torch**

MZ-E 240W cpl. with grey handle,  
Euro-connection (Steel Liner 2,0x4,5mm)

3m	<b>MZ-240WAA3E</b>
4m	<b>MZ-240WAA4E</b>
5m	<b>MZ-240WAA5E</b>

## MIGZONE MZ-E Series – air and watercooled MIG-Torch

**DIN Norm**

Technical data according to CE EN 60 974-7

**The Handle**

2-component handle - robust and ergonomic

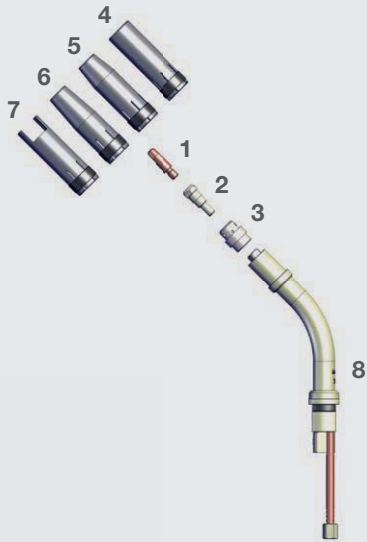
**The Trigger**

U/D Module ( Option )

**The Gun and Cable**

Premium components installed

# MIGZONE MZ-E 240W – watercooled MIG-Torch



**22** ↓ ↓  
U/D Switch module available as an option

**MZ-K2-003**

**MZ-K2-004**



## Complete Torch

MZ-E 240W cpl. with grey handle, Euro-connection (Steel Liner 2,0x4,0mm)

3m	<b>MZ-240WAA3E</b>
4m	<b>MZ-240WAA4E</b>
5m	<b>MZ-240WAA5E</b>

## Torch Front Group

<b>1</b> Contact Tip Pro	M6x28	MBx30
ECu	<b>22506xx</b>	-
CuCrZr	<b>22576xx</b>	-
for Alu	<b>22566xx</b>	-
Contact Tip Eco	M6x28	MBx30
ECu	<b>22506xxL</b>	-
CuCrZr	<b>22576xxL</b>	-

**i** Tips available in Ø 0.8/0.9/1.0/1.2 mm  
Please insert wire diameter at **xx**.  
Example Ø **1,0** mm is: 10; Art.-No.: = 22506**10**

<b>2</b> Tip Adapter	M6	M8
short L=26mm	<b>2240406</b>	-
long	-	-
<b>3</b> Gas Diffuser		
white*		<b>2240702</b>
black		<b>2240700</b>
Gas Nozzle L=63,5mm		
<b>4</b> cylinder NW17		<b>2240801</b>
<b>5</b> conical NW12,5*		<b>2240802</b>
<b>6</b> tapered NW12,5		<b>2240803</b>
<b>7</b> Spot Welding NW17		<b>2240805</b>
<b>8</b> Swan Neck		
MZ-E 240W, complete		<b>240WM100</b>

## Handle Group

<b>20</b> MIG-Handle MZ-K2, grey complete, watercooled	<b>MZ-HDL-K2G-W</b>
<b>21</b> MIG-Handle MZ-K2, grey left + right half	<b>MZ-K2-001</b>
<b>22</b> Neutral top MZ-K2	<b>MZ-K2-002</b>
<b>23</b> Screw for Handle	<b>MZ-K2-005</b>
<b>24</b> Trigger cpl. MZ-K2	<b>MZ-K2-006</b>
<b>25</b> Nut for Handle MZ-K2	<b>MZ-K2-007</b>

## Cable Group

<b>48</b> Gun Plug Housing Swivel	<b>MZ-K2-008</b>
<b>49</b> Spring Cable Support	<b>MZ-K2-010</b>
Single Ear Clamp	
<b>53</b> D = 11,8	<b>11.8GER</b>
<b>55</b> D = 8,7	<b>08.7GER</b>
<b>58</b> D = 10,0	<b>10.0GER</b>
<b>52</b> Gas Hose Ø 4,0x1,5 (PU=100m)	<b>0550111</b>
<b>54</b> Connector Wire-Gas	<b>21201027</b>
<b>57</b> Water Hose blue Ø 5,0x1,5, (PU=200m)	<b>CR05/8 BL</b>

**\*** Parts marked with \* are included in the standard configuration

## Cable Group

Part	3m	4m	5m
<b>50</b> Cable Assembly MZ-E cpl.	<b>24139M30</b>	<b>24139M40</b>	<b>24139M50</b>
<b>51</b> Outer Liner MZ-E cpl.	<b>25146M30</b>	<b>25146M40</b>	<b>25146M50</b>
<b>56</b> Power Cable cpl.	<b>2414130</b>	<b>2414140</b>	<b>2414150</b>
<b>61</b> Control Cable MZ-E cpl.	<b>24144M30</b>	<b>24144M40</b>	<b>24144M50</b>

