

MIGZONE ENDURANCE SERIES

# MZ-E 250G

**MIGZONE®**  
TORCHES60  
%ED0,8  
-  
1,2  
mm230  
A<sub>CO2</sub>220  
A<sub>MIX</sub>**i Flex Neck Special**

The MZ-E 250G is also available with flexible necks.

**i Neck Variations**

You can get our whole MZ-E series MIG Torches with rotating necks.

**Complete Torch**

MZ-E 250G cpl. with grey handle,  
Euro-connection (Steel Liner 2,0x4,0mm)

3m	<b>MZ-250GAA3E</b>
4m	<b>MZ-250GAA4E</b>
5m	<b>MZ-250GAA5E</b>

## MIGZONE MZ-E Series – air and watercooled MIG-Torch

**DIN Norm**

Technical data according to CE EN 60 974-7

**The Handle**

2-component handle - robust and ergonomic

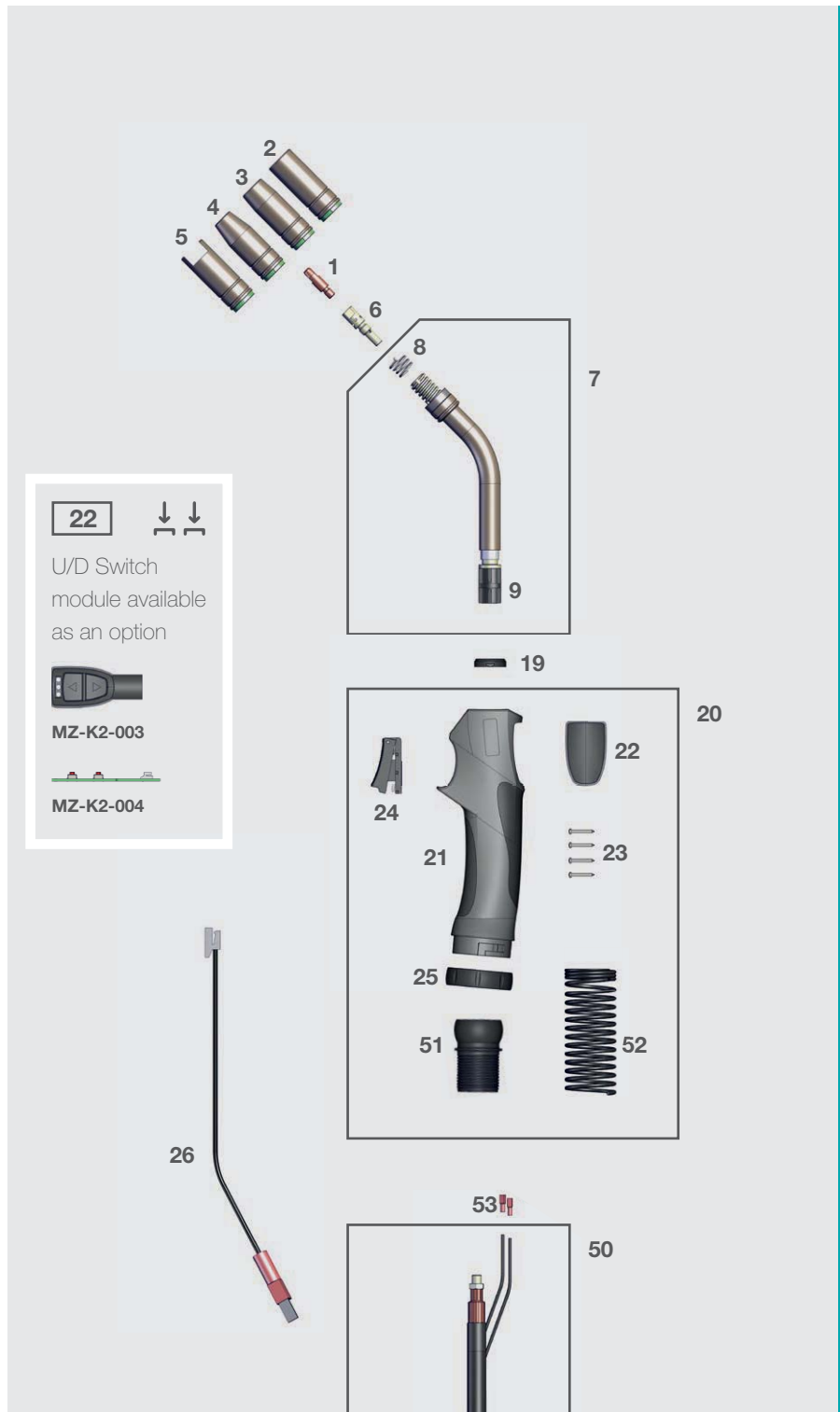
**The Trigger**

U/D Module ( Option )

**The Gun and Cable**

Premium components installed

# MIGZONE MZ-E 250G – aircooled MIG-Torch



## Complete Torch

MZ-E 250G cpl. with grey handle, Euro-connection (Steel Liner 2,0x4,0mm)

3m	<b>MZ-250GAA3E</b>
4m	<b>MZ-250GAA4E</b>
5m	<b>MZ-250GAA5E</b>

## Torch Front Group

<b>1</b> Contact Tip Pro	M6x28	M8x30
ECu	<b>22506xx</b>	<b>24106xx</b>
CuCrZr	<b>22576xx</b>	<b>24176xx</b>
for Alu	<b>22566xx</b>	<b>24166xx</b>
Contact Tip Eco	M6x28	M8x30
ECu	<b>22506xxL</b>	<b>24106xxL</b>
CuCrZr	<b>22576xxL</b>	<b>24176xxL</b>

**i** Tips available in Ø 0.8/0.9/1.0/1.2 mm  
Please insert wire diameter at **xx**.  
Example Ø **1,0** mm is: 10; Art.-No.: = 22506**10**

Gas Nozzle L=57mm	
<b>2</b> cylinder NW18	<b>2250801</b>
<b>3</b> conical NW15*	<b>2250802</b>
<b>4</b> tapered NW11,5	<b>2250803</b>
<b>5</b> Spot Welding NW18	<b>2250805</b>
<b>6</b> Tip Adapter	M6 M8
short L=35mm	<b>2250406</b> <b>2250408</b>
long	- -
<b>7</b> Swan Neck	
MZ-E 250G, complete	<b>250GM100</b>
<b>8</b> Spring	
Nozzle	<b>2250500</b>
<b>9</b> Connection Body	
MZ-K2	<b>21140011</b>

## Handle Group

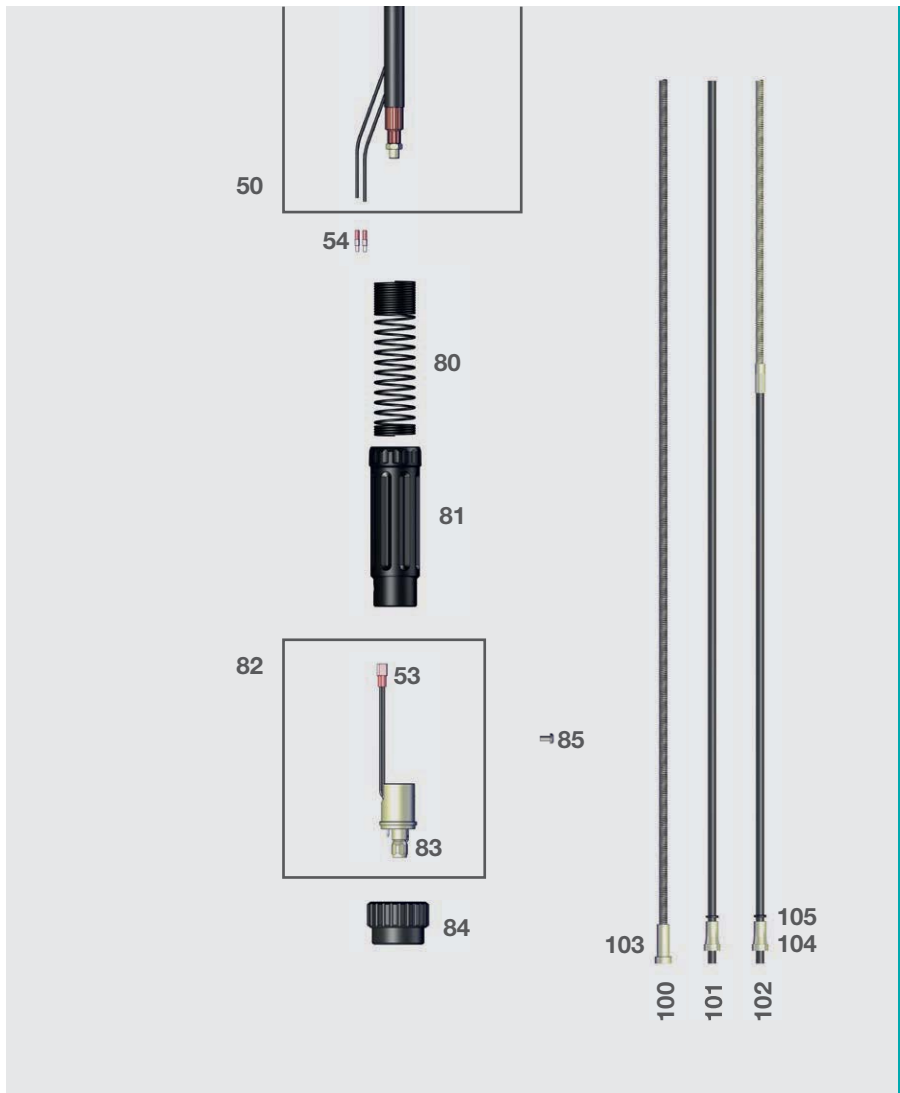
<b>19</b> Reduction D16	
MZ-K2	<b>21140041</b>
<b>20</b> MIG-Handle MZ-K2, grey	
complete, aircooled	<b>MZ-HDL-K2G-G</b>
<b>21</b> MIG-Handle MZ-K2, grey	
left + right half	<b>MZ-K2-001</b>
<b>22</b> Neutral top	
MZ-K2	<b>MZ-K2-002</b>
<b>23</b> Screw for	
Handle	<b>MZ-K2-005</b>
<b>24</b> Trigger cpl.	
MZ-K2	<b>MZ-K2-006</b>
<b>25</b> Nut for	
Handle MZ-K2	<b>MZ-K2-007</b>
<b>26</b> MZ-K2, 2pol. Female connection	
with cables	<b>21140062K</b>

## Cable Group

<b>50</b> Coaxial Cable 25mm <sup>2</sup>	
3m	<b>3002530</b>
4m	<b>3002540</b>
5m	<b>3002550</b>
<b>51</b> Gun Plug Housing	
Swivel	<b>MZ-K2-008</b>
<b>52</b> Spring	
Cable Support	<b>MZ-K2-009</b>
<b>53</b> Electrical Connector	
Female, insulated	<b>2155100</b>

**\*** Parts marked with \* are included in the standard configuration

# MIGZONE MZ-E 250G – aircooled MIG-Torch



### Cable Group

54	Electrical Connector Male, insulated	2155200
80	Spring Cable Support	2151201
81	Gun Plug Housing	2251601
82	Gun Plug Body with Spring Loaded Pins	2151505
	Nut	
83	Liner Positioner	2151501
84	Plug	ZA-14
85	Screw for Gun Plug Body	ZA-11

### Liner Group 2

100	Mono-Steel-Liner Steel 1,5 x 4,0 mm / <b>X</b> blue Steel 2,0 x 4,0 mm / <b>X</b> red*	34415X0 34420X0
101	Mono-Synthetic-Liner PTFE 1,5 x 4,0 mm blue PTFE 2,0 x 4,0 mm red Carbon-PTFE 1,5 x 4,0 mm / <b>X</b> m Carbon-PTFE 2,0 x 4,0 mm / <b>X</b> m PA 1,4 x 4,0 mm / <b>X</b> m PA 2,0 x 4,0 mm / <b>X</b> m	34115X0 34120X0 35115X0 35120X0 35314X0 35220X0
102	Combi-Synthetic-Liner PTFE 1,5 x 4,0 mm / <b>X</b> m blue PTFE 2,0 x 4,0 mm / <b>X</b> m red Carbon-PTFE 1,5 x 4,0 mm / <b>X</b> m Carbon-PTFE 2,0 x 4,0 mm / <b>X</b> m PA 1,4 x 4,0 mm / <b>X</b> m PA 2,0 x 4,0 mm / <b>X</b> m	34115X0K 34120X0K 35115X0K 35120X0K 35314X0K 35320X0K

**i** Liners available in 3 m / 4 m / 5 m length. Please insert length at **X**. Example: Steel-Liner 4 m = 3441540

	Collet (Mono & Combi)	
103	for Steel Liner Ø 4,0 mm	2155645
104	for Synthetic Liner Ø 4,0 mm	2155740
105	O-Ring for Synthetic and Combi Liner	0031500

**\*** Parts marked with \* are included in the standard configuration