

MIGZONE ENDURANCE SERIES

MZ-E 360G

MIGZONE®
TORCHES60
%ED0,8
-
1,2
mm320
A_{CO2}290
A_{MIX}**i Neck Variations**

You can get our whole MZ-E series
MIG Torches with rotating necks.

**Complete Torch**

MZ-E 360G cpl. with grey handle,
Euro-connection (Steel Liner 2,0x4,0mm)

3m	MZ-360GAA3E
4m	MZ-360GAA4E
5m	MZ-360GAA5E

MIGZONE MZ-E Series – air and watercooled MIG-Torch

DIN Norm

Technical data according to CE EN 60 974-7

The Handle

2-component handle - robust and ergonomic

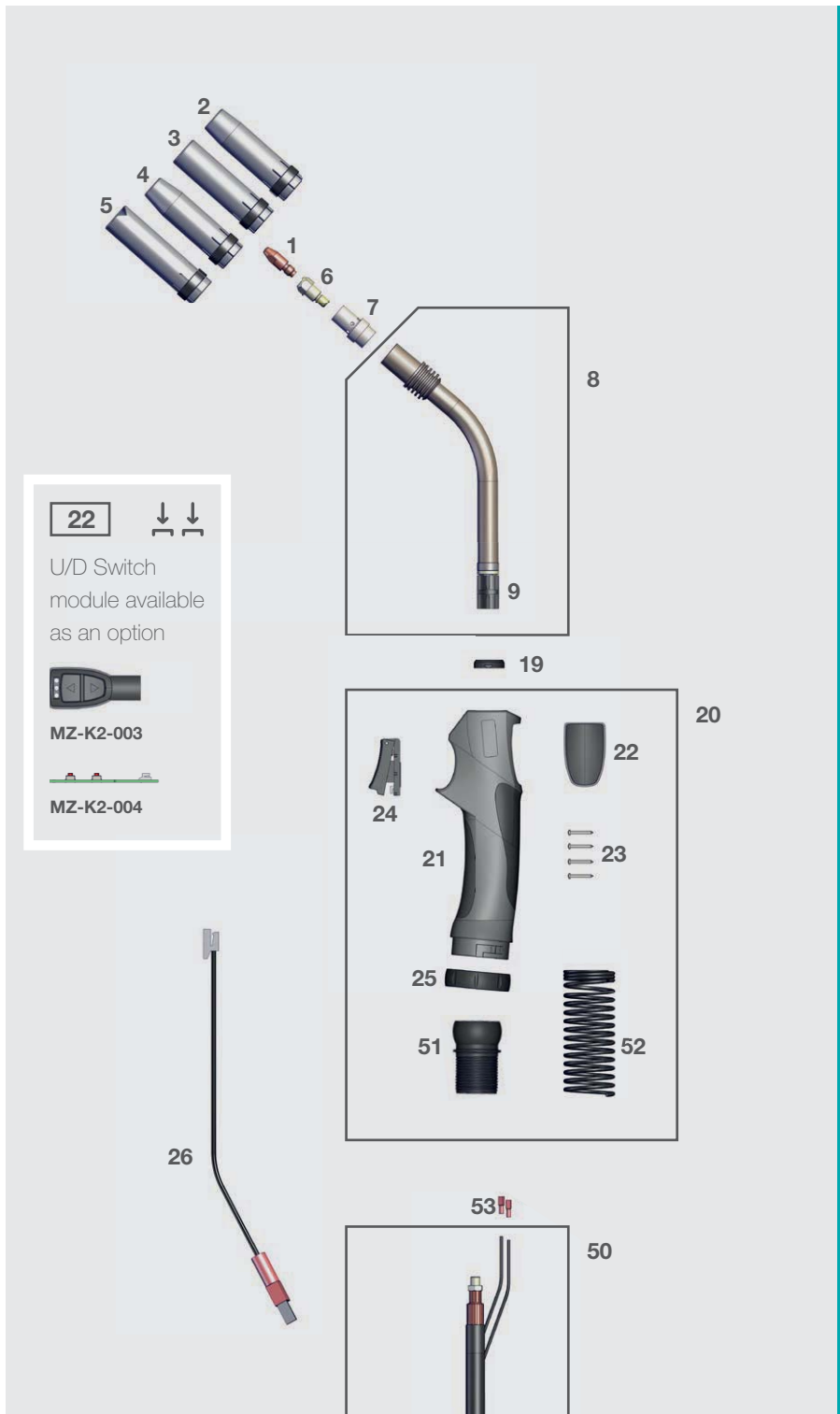
The Trigger

U/D Module (Option)

The Gun and Cable

Premium components installed

MIGZONE MZ-E 360G – aircooled MIG-Torch



22 ↓ ↓
 U/D Switch module available as an option



MZ-K2-003



MZ-K2-004

* Parts marked with * are included in the standard configuration

Complete Torch

MZ-E 360G cpl. with grey handle, Euro-connection (Steel Liner 2,0x4,0mm)

3m	MZ-360GAA3E
4m	MZ-360GAA4E
5m	MZ-360GAA5E

Torch Front Group

1 Contact Tip Pro	M6x28	M8x30
ECu	22506xx	24106xx
CuCrZr	22576xx	24176xx
for Alu	22566xx	24166xx
Contact Tip Eco	M6x28	M8x30
ECu	22506xxL	24106xxL
CuCrZr	22576xxL	24176xxL

i Tips available in Ø 0.8/0.9/1.0/1.2 mm
 Please insert wire diameter at **xx**.
 Example Ø **1,0** mm is: 10; Art.-No.: = 22506**10**

Gas Nozzle L=84mm		
2 cylinder NW19		2360801
3 conical NW16*		2360802
4 tapered NW12		2360803
5 Spot Welding NW17		2360805
6 Tip Adapter	M6	M8
short L=28mm	2360406	2360408
long L=33mm	2360416	2360418
7 Gas Diffuser		
white*		2360702
black		2360700
eco		2360702L
8 Swan Neck		
MZ-E 360G, complete		360GM100
9 Connection Body		
MZ-K2		21140011

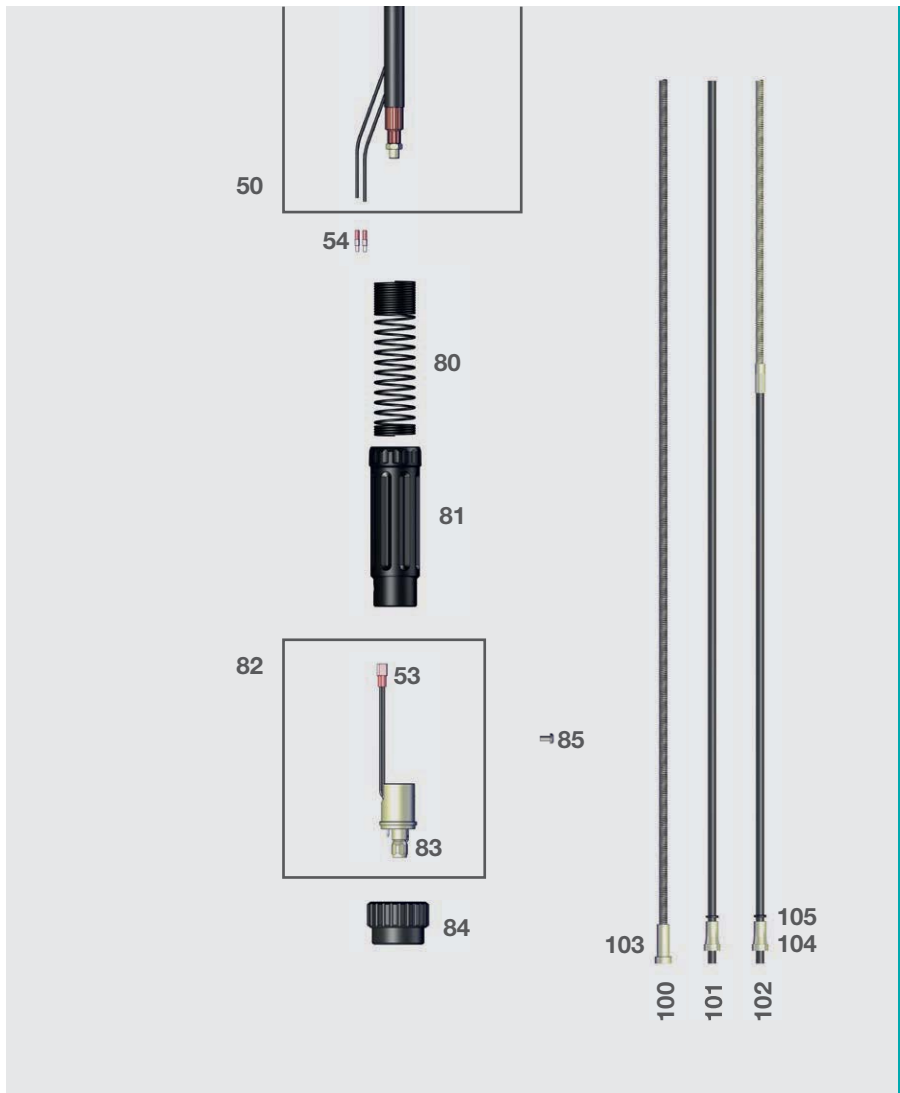
Handle Group

19 Reduction D16		
MZ-K2		21140041
20 MIG-Handle MZ-K2, grey		
complete, aircooled		MZ-HDL-K2G-G
21 MIG-Handle MZ-K2, grey		
left + right half		MZ-K2-001
22 Neutral top		
MZ-K2		MZ-K2-002
23 Screw for		
Handle		MZ-K2-005
24 Trigger cpl.		
MZ-K2		MZ-K2-006
25 Nut for		
Handle MZ-K2		MZ-K2-007
26 MZ-K2, 2pol. Female connection		
with cables		21140062K

Cable Group

50 Coaxial Cable 50mm²		
3m		3005030
4m		3005040
5m		3005050
51 Gun Plug Housing		
Swivel		MZ-K2-008
52 Spring		
Cable Support		MZ-K2-009
53 Electrical Connector		
Female, insulated		2155100

MIGZONE MZ-E 360G – aircooled MIG-Torch



Cable Group

54	Electrical Connector Male, insulated	2155200
80	Spring Cable Support	2151201
81	Gun Plug Housing	2251601
82	Gun Plug Body with Spring Loaded Pins	2151505
	Nut	
83	Liner Positioner	2151501
84	Plug	ZA-14
85	Screw for Gun Plug Body	ZA-11

Liner Group 2

100	Mono-Steel-Liner Steel 1,5 x 4,0 mm / X blue Steel 2,0 x 4,0 mm / X red*	34415X0 34420X0
101	Mono-Synthetic-Liner PTFE 1,5 x 4,0 mm blue PTFE 2,0 x 4,0 mm red Carbon-PTFE 1,5 x 4,0 mm / X m Carbon-PTFE 2,0 x 4,0 mm / X m PA 1,4 x 4,0 mm / X m PA 2,0 x 4,0 mm / X m	34115X0 34120X0 35115X0 35120X0 35314X0 35220X0
102	Combi-Synthetic-Liner PTFE 1,5 x 4,0 mm / X m blue PTFE 2,0 x 4,0 mm / X m red Carbon-PTFE 1,5 x 4,0 mm / X m Carbon-PTFE 2,0 x 4,0 mm / X m PA 1,4 x 4,0 mm / X m PA 2,0 x 4,0 mm / X m	34115X0K 34120X0K 35115X0K 35120X0K 35314X0K 35320X0K

i Liners available in 3 m / 4 m / 5 m length.
Please insert length at **X**.
Example: Steel-Liner 4 m = 3441540

	Collet (Mono & Combi)	
103	for Steel Liner Ø 4,0 mm	2155645
104	for Synthetic Liner Ø 4,0 mm	2155740
105	O-Ring for Synthetic and Combi Liner	0031500

***** Parts marked with * are included in the standard configuration